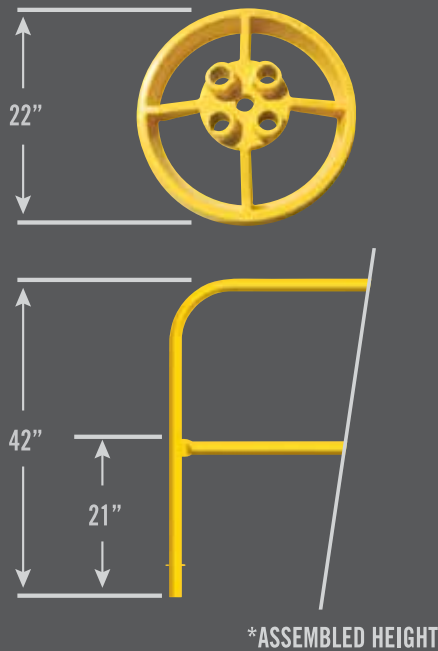
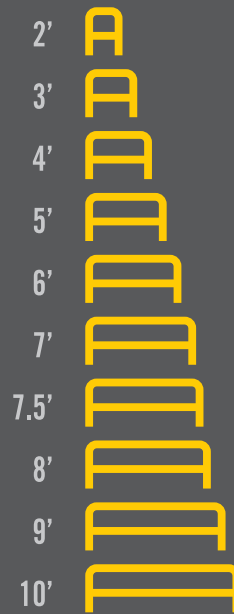


DIMENSIONS



LENGTH OPTIONS



POSITIVE LOCKING PIN SYSTEM



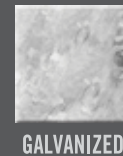
INSTALLATION ACCESSORY



PRODUCT SPECS

- Designed in accordance with OSHA Standards (29 CFR 1910.23 & 29 CFR 1926.502)
- Tested for 200 lb (90.7kg) force in any direction
- Assembled height: 42" (107cm) top rail, 21" (53cm) mid rail
- Mounting base weight: 101 lbs (45.8kg)/ea
- Railing tube 1 5/8" (41mm) O.D. hot rolled, pickled and oiled (HRPO)
- Positive locking pin system
- EPDM pads standard under each base
- 100% Made in USA
- American Welding Society Certified (AWS D1.1 & D1.3)
- SRC Safety Pins: 1010 carbon steel and zinc plated

FINISH OPTIONS



INSTALLATION

- SRC provided product installation plan
- No tools, welding or drilling required
- Single person installation
- Mobile, multi-location capability

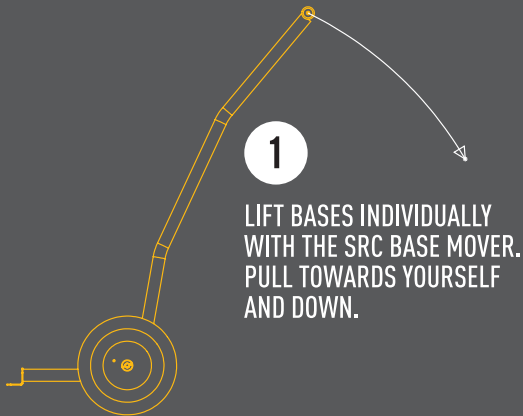
PROJECT:

CONTRACTOR:

DATE:

CLICK HERE FOR SPECIFICATIONS AND BIM MODELS



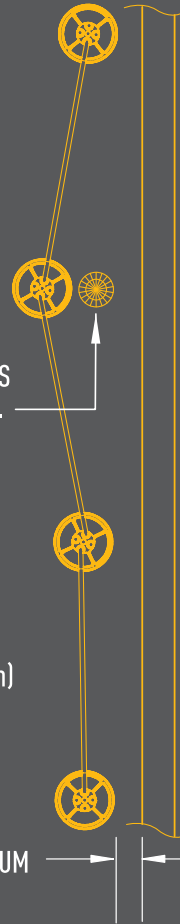


1 LIFT BASES INDIVIDUALLY WITH THE SRC BASE MOVER. PULL TOWARDS YOURSELF AND DOWN.

3 ALL RAIL SEGMENTS ALONG LEADING EDGE MUST BEGIN AND END WITH A 5' (152cm) RETURN RAIL.

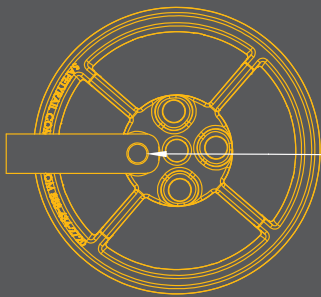


2 SYSTEM WILL ACCOMMODATE IRREGULAR RAIL SEGMENT ANGLES AROUND OBSTRUCTIONS SUCH AS ROOF DRAINS.

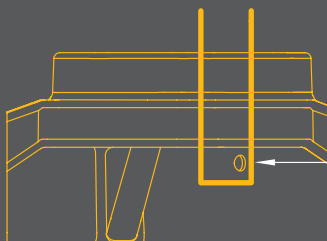


4 WHEN NO PARAPET IS PRESENT, AN 18" (46cm) STANDARD MINIMUM OFFSET FROM LEADING EDGE IS REQUIRED.

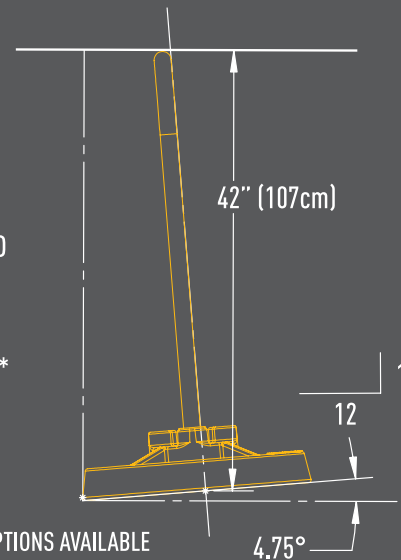
18" (46cm) MINIMUM



5 SECURE RAIL IN ANY OF 4 PORTS USING SRC SAFETY PINS.



NOTE:
SRC MOBILE RAIL SYSTEM DESIGNED FOR FLAT AND LOW-SLOPED ROOFS, UP TO A 1/12 ROOF PITCH.*



*ADDITIONAL SRC OPTIONS AVAILABLE FOR STEEP-SLOPED ROOFS.