



# CONDUIT SUPPORT QUOTE TEMPLATE

Job Name: \_\_\_\_\_

Frame Label: \_\_\_\_\_

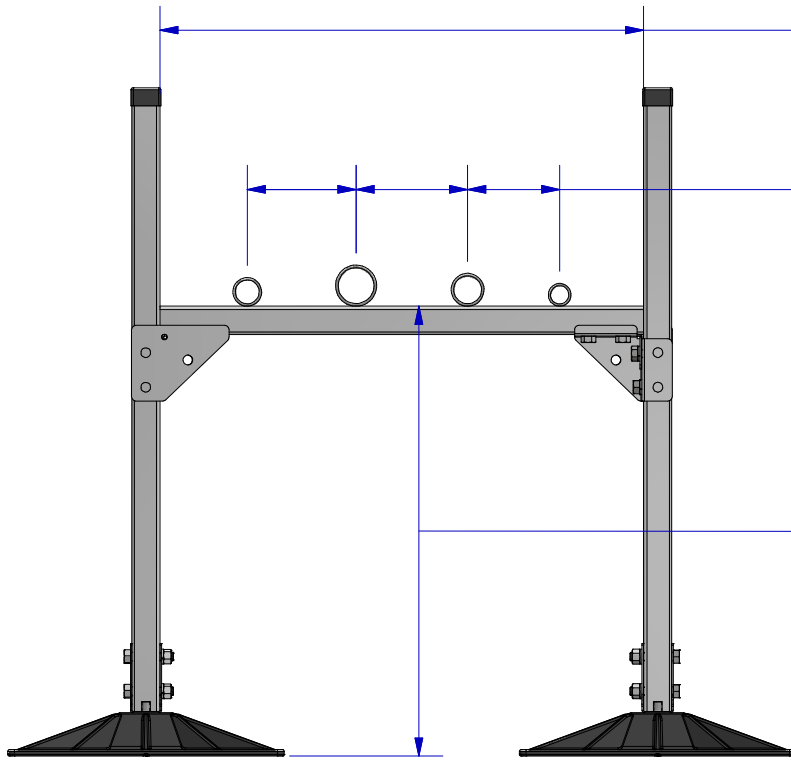
Support Width: \_\_\_\_\_

Conduit Spacing: \_\_\_\_\_

Number of Conduit: \_\_\_\_\_

Conduit Size(s): \_\_\_\_\_

Height Off Roof: \_\_\_\_\_



Number of Supports: \_\_\_\_\_

## KEY INFORMATION

- Duct and Cable Trays are designed for single or multiple duct supports and cable trays.
- The duct series support is engineered to ensure member/component capacities and deflection criteria are not exceeded.
- Maximum loading from any MIRO base to the finished roof surface is not to exceed 2.0 psi unless specifically allowed otherwise in the project specifications. Deflection in the horizontal header bar is not to exceed the span length by 360 or 1/8.
- Recommended spacing is not to exceed 8 feet centers depending upon the load. Do not exceed load weight
- Width and height are built job specific based on information provided to MIRO Ind. with a minimum height of 12"
- Base Material: Polycarbonate, Stainless Steel and Hot Dip Galvanized
- All metal parts are hot dip galvanized

## ACCESSORIES

- Support pad or deck plate
- Cross bracing